

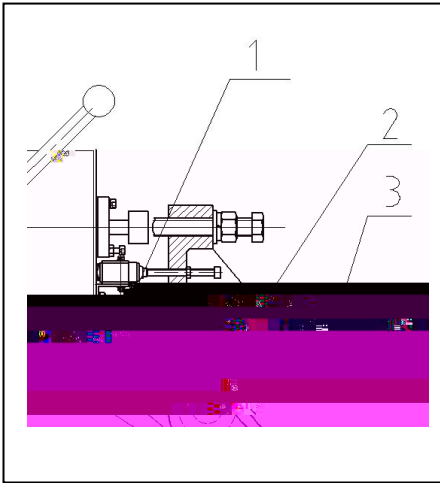








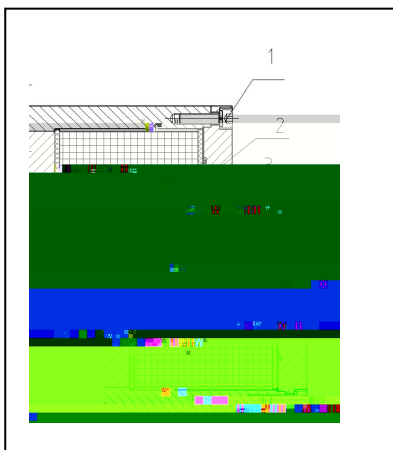
3.2  
3.2.1



- 1
- 2
- 3

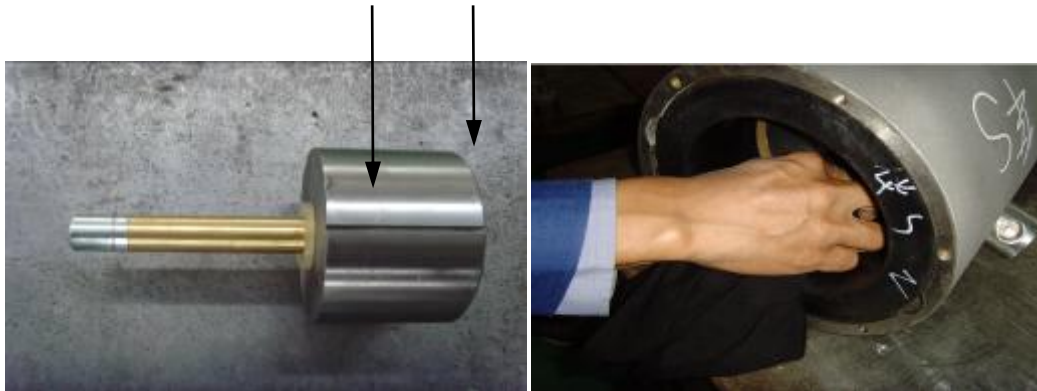


3.2.2

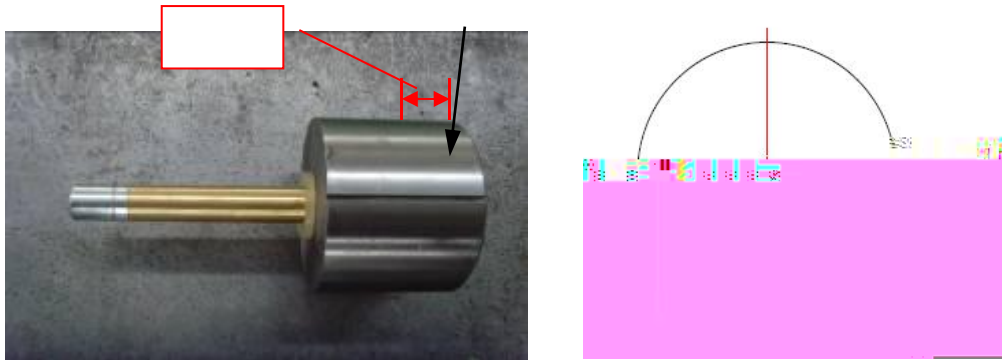


- 1
- 2
- 3
- 4

3.2.3



- 1
- 2



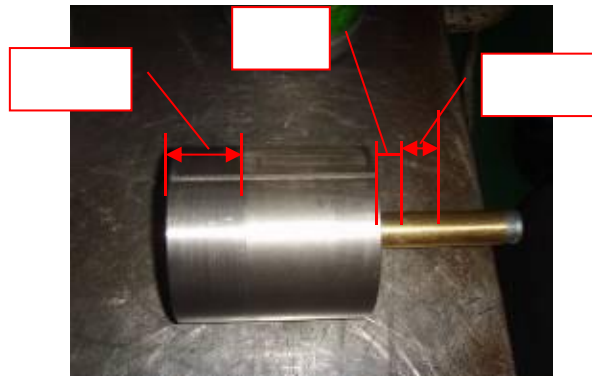
- 3



4



5



6



3.3  
3.3.1

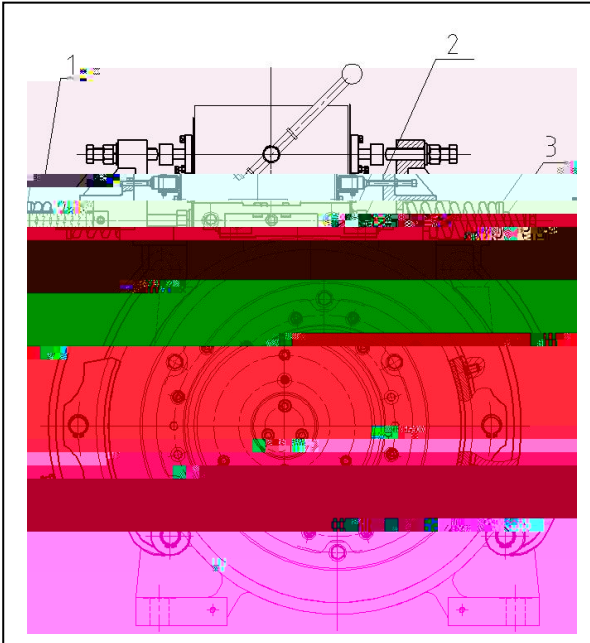


### 3.3.2



•

•



1

2

3

4

5

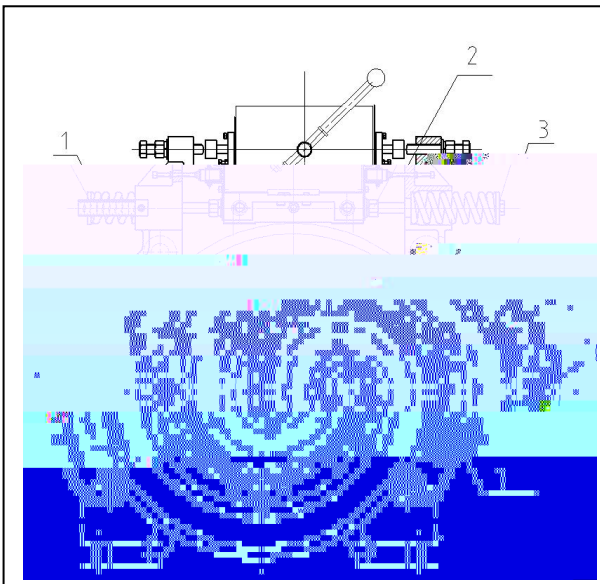
6

### 3.3.3



•

•



1

2

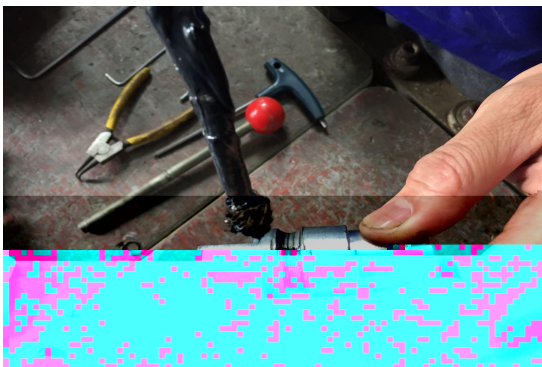
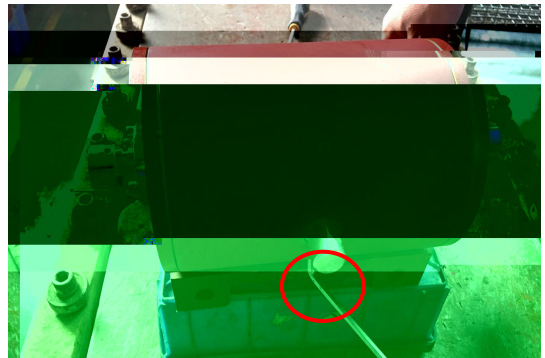
3



4

5

3.3.4



1

2

---

3

4

5

6

7

4

4.1



4.2

4.2.1



4.2.2



---

- 

- 

- 

#### 4.2.3

UCE

- $\frac{L}{R} \ln \left( \frac{D_0}{D_0 - D} \right)$ , UCE

	1	1
	2	2
	3	3
	4	4
	5	5
	6	6
	7	7
	1	1
	2	2
	1	1
	2	2
	3	3
	4	4

---

